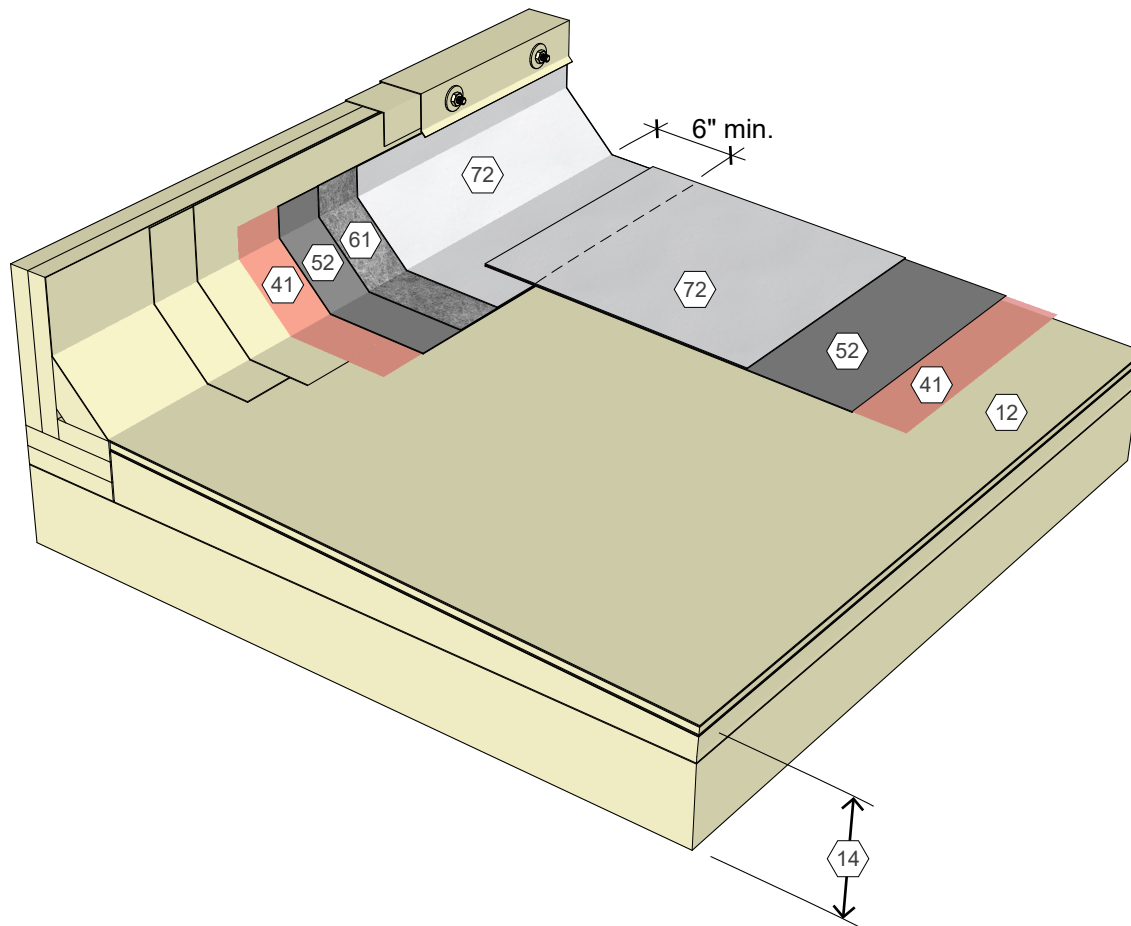


KEY NOTES

- ① Existing Single-Ply Membrane
- ② Existing Structural Deck and Insulation Assembly
- ④ Approved Primer
- ⑤ AlphaGuard BIO Base Coat
- ⑥ AlphaGuard Glass Mat or Permafab
- ⑦ AlphaGuard BIO Top Coat

AlphaGuard® BIO NR Restoration Detail, Single-Ply, Wood Curb
 Detail 15131



KEY NOTES

- ⑫ Existing MB or Smooth BUR
- ⑭ Existing Structural Deck and Insulation Assembly
- ④① Approved Primer
- ⑤② AlphaGuard BIO Base Coat
- ⑥① AlphaGuard Glass Mat or Permafab
- ⑦② AlphaGuard BIO Top Coat

AlphaGuard® BIO NR Restoration Detail, MB or Smooth BUR, Wood Curb
 Detail 15132